

IAM SERIES

H6 MODELS

INDEX

94	TECHNICAL DATA
95	DIMENSIONAL DRAWINGS
98	POWER CHARTS
100	SIDE LOAD CHARTS
103	ORDERING INSTRUCTIONS

www.Laheghi.com

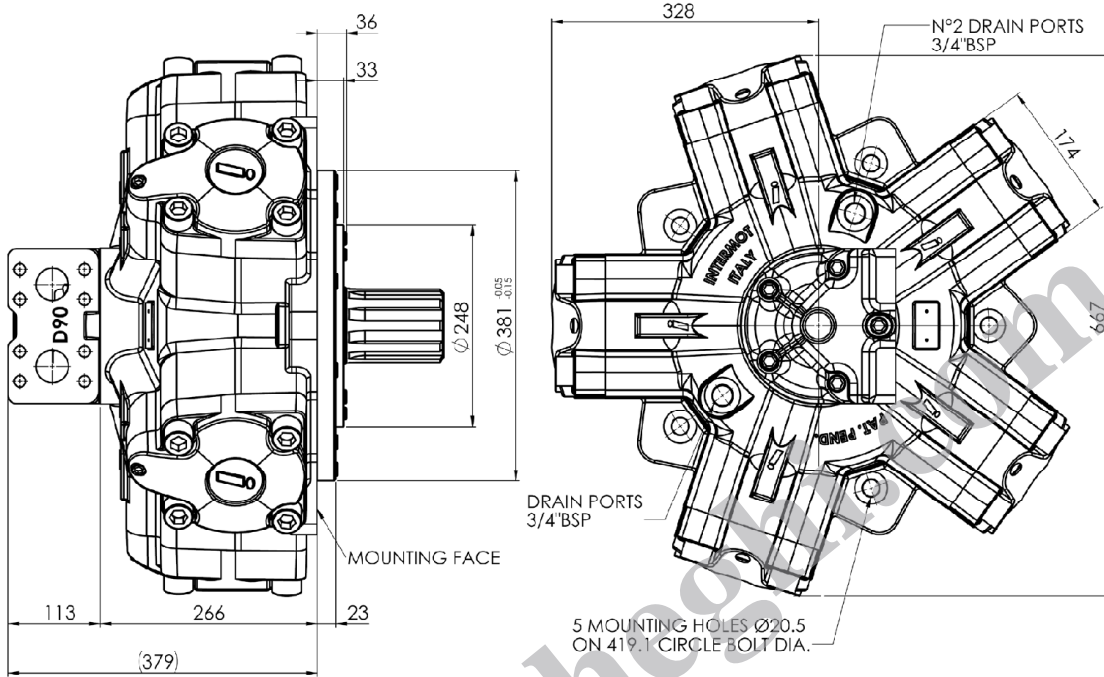
IAM H6 - TECHNICAL DATA

MODEL	N° of pistons	Displacement	Specific Torque	Pressure			Speed		Max Case Pressure	Max Power	Dry Weight	Inertia moment of rotating parts		
				Max Cont.	Max Int.	Peak	Max Continuous	Peak						
		cc/rev	Nm/bar	bar	bar	bar	rpm	rpm	bar	hp	kW	kg	kg cm ²	
IAM H6	2200	5	2207	35,1	250	300	350	220	260	6	228	170	308	1745
	2500	5	2526	40,2	250	300	350	220	260	6	228	170	308	1745
	2800	5	2808	44,7	250	300	350	220	260	6	228	170	308	1745
	3000	5	2985	47,5	250	300	350	210	250	6	228	170	308	1745
	3200	5	3290	52,4	250	300	350	200	240	6	228	170	308	1745
	3500	5	3481	55,4	250	300	350	200	240	6	228	170	308	1745

www.Laheghi.com

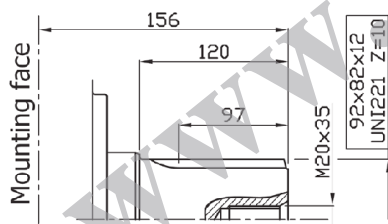
IAM H6 - DIMENSIONAL DRAWINGS

IAM 2200 – 2500 – 2800 – 3000 – 3200 – 3500 H6

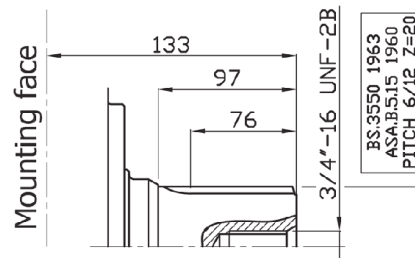


SHAFT OPTIONS

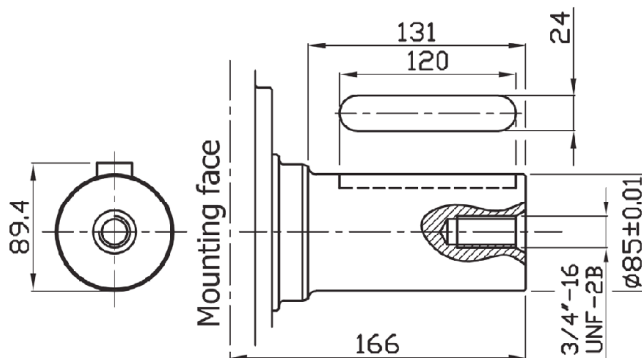
A0: Standard splined shaft



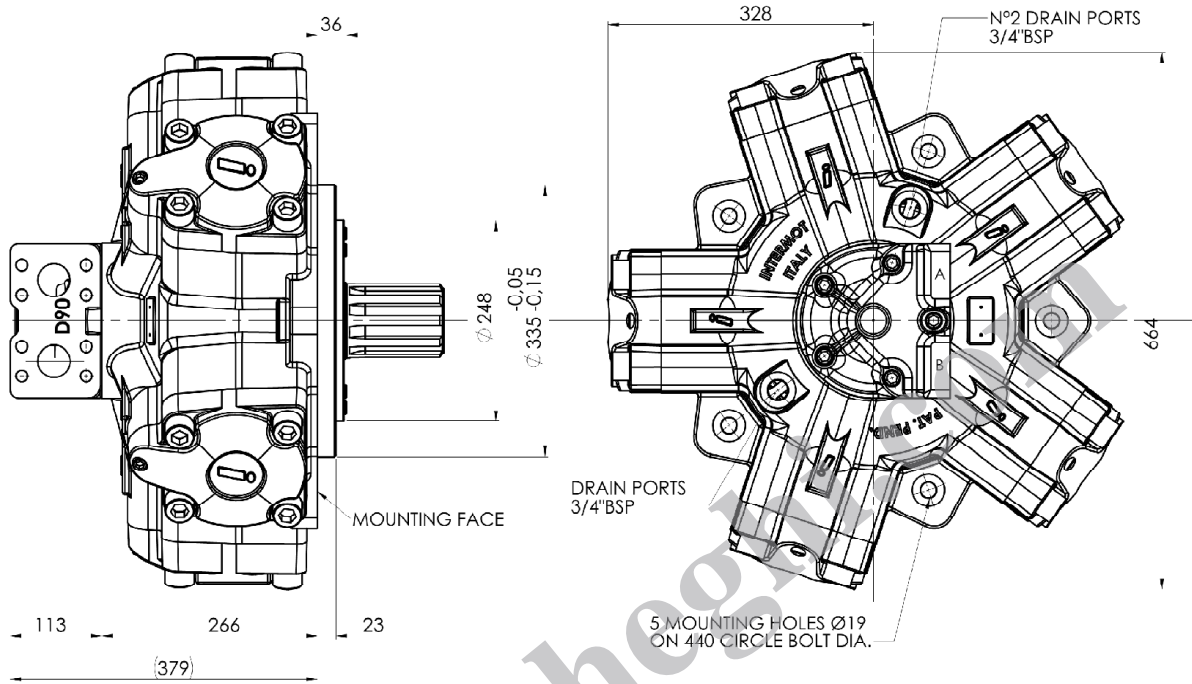
A1: Splined shaft on request



A2: Parallel shaft on request

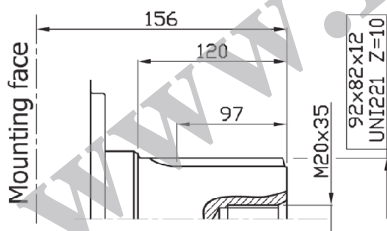


IAM 2200/C-2500/C-2800/C-3000/C-3200/C-3500/C H6

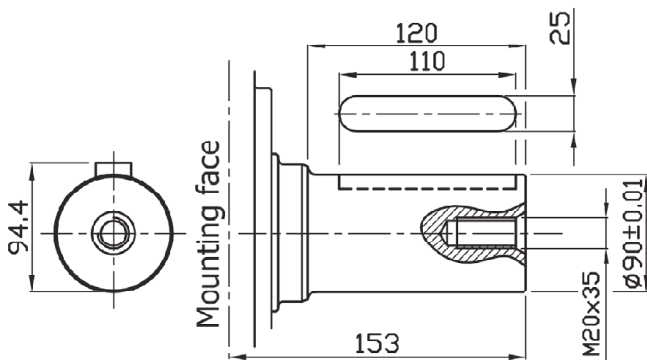


SHAFT OPTIONS

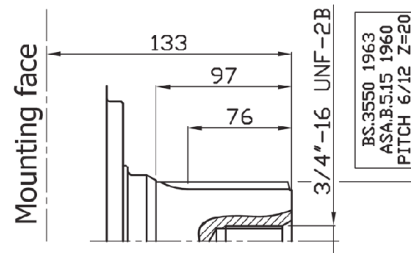
A0: Standard splined shaft



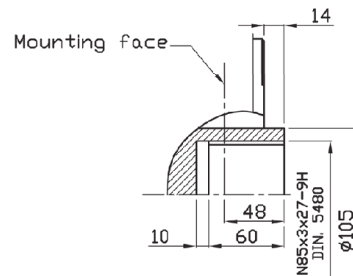
A2: Parallel shaft on request



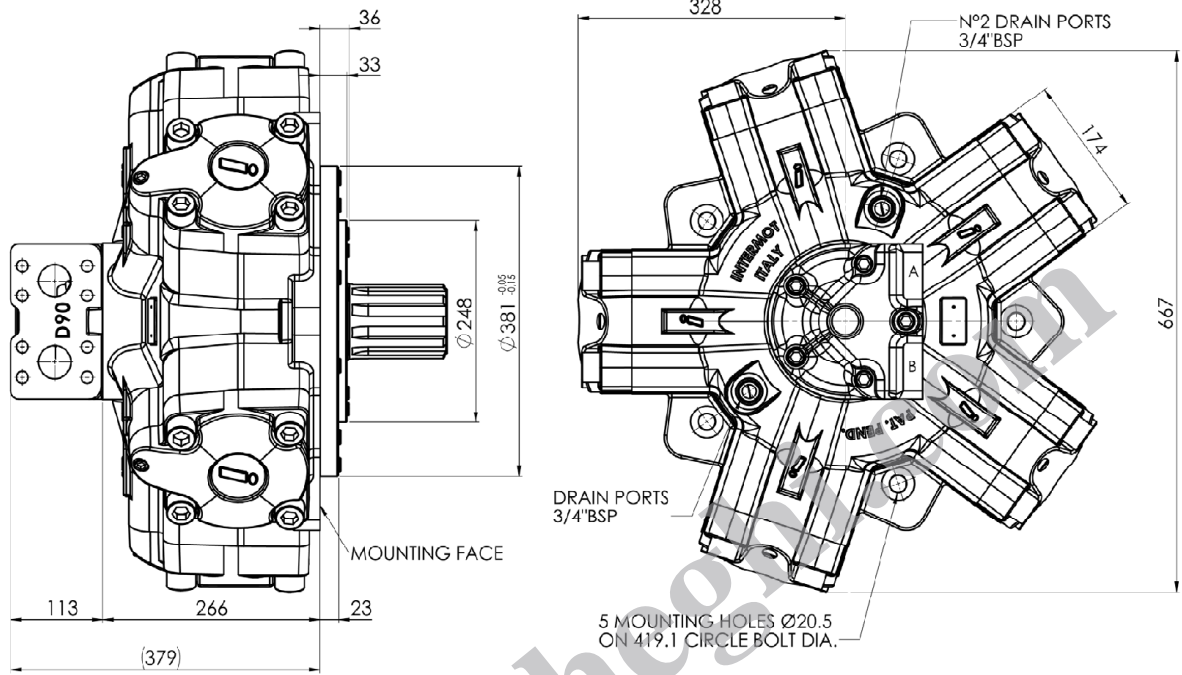
A1: Splined shaft on request



A3: Female shaft on request



IAM 2200/B125-2500/B150--3000/B200 H6

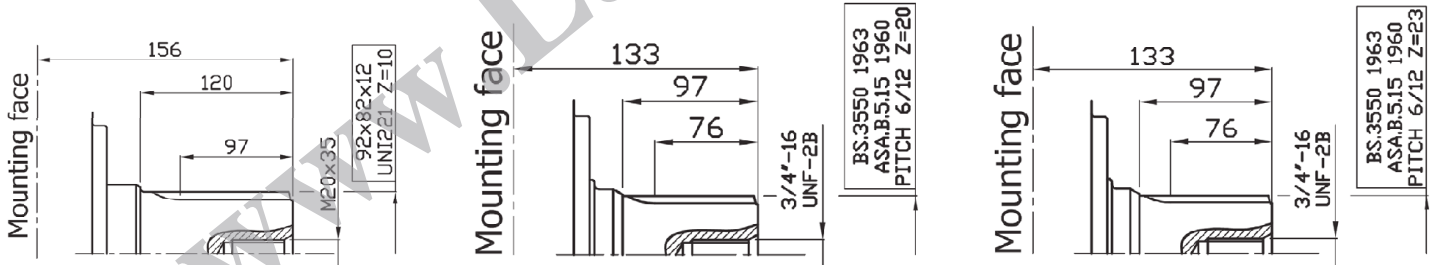


SHAFT OPTIONS

A0: Standard splined shaft

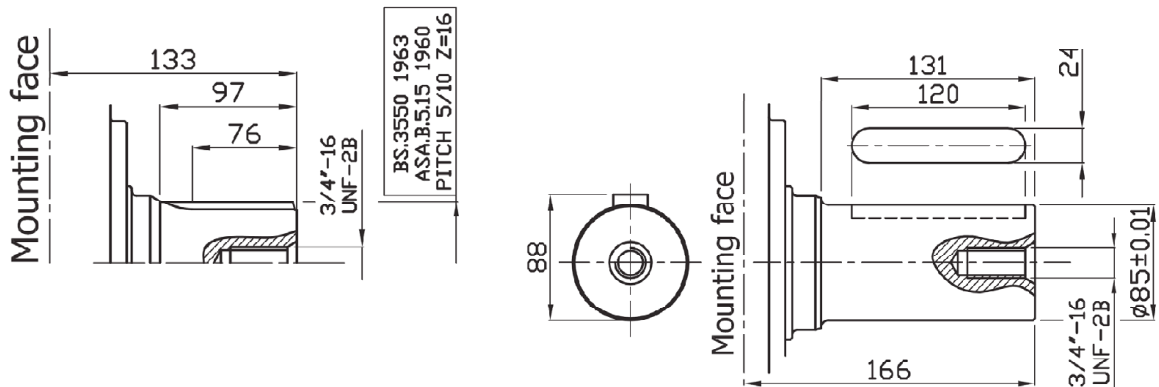
A1: Splined shaft on request

A11: Splined shaft on request

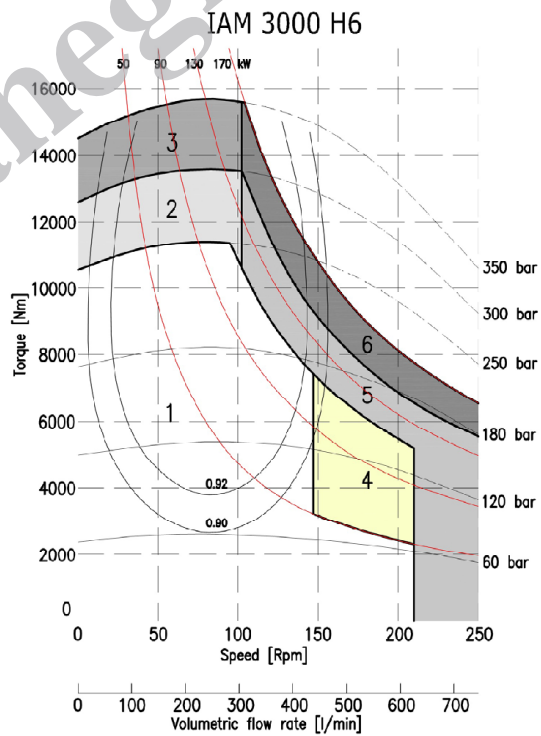
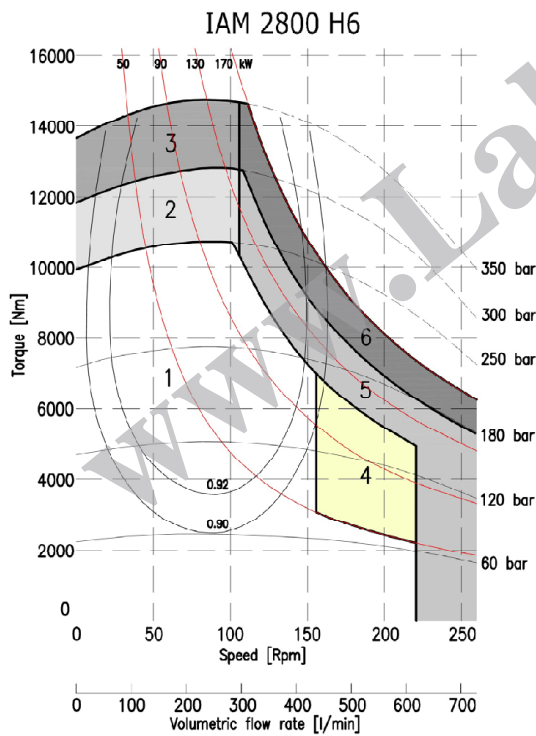
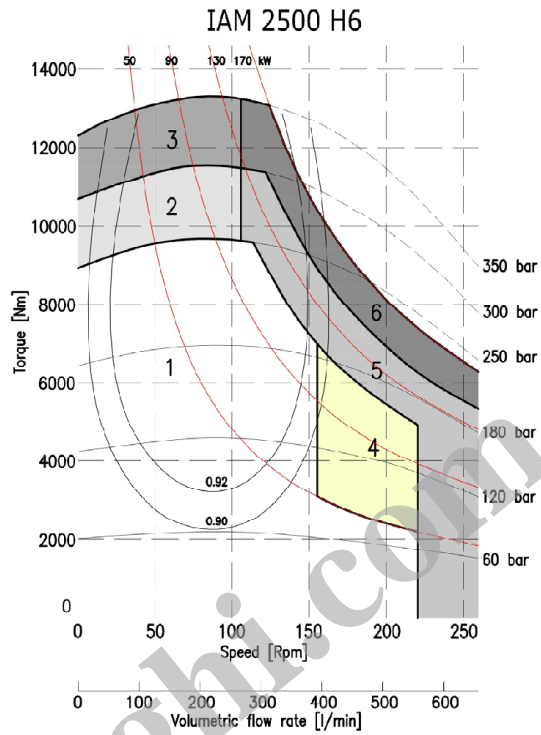
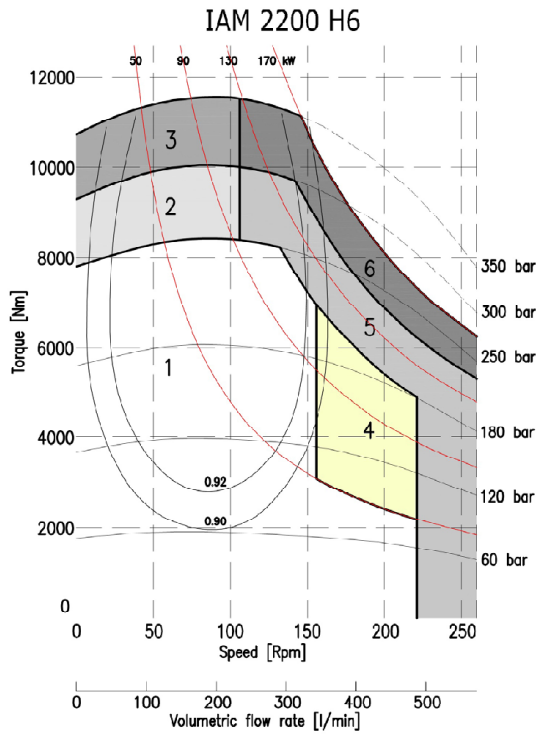


A12: Splined shaft on request

A2: Parallel shaft on request

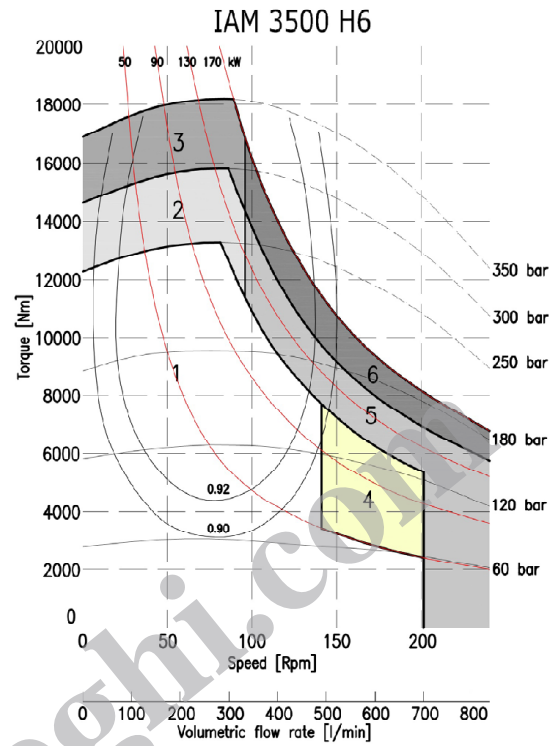
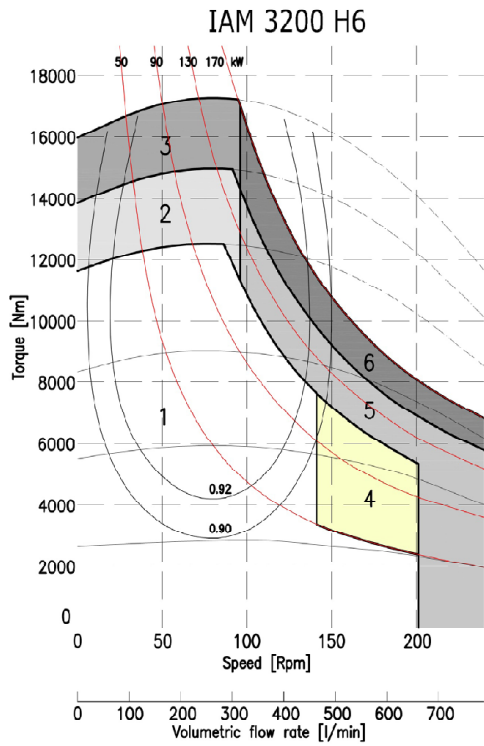


IAM H6 - POWER CHARTS



1	Continuous operation
2	Intermittent operation for period 3-5 minutes every 10-15 minutes
3	Intermittent operation for very short period (3-5 seconds every 10-15 minutes)

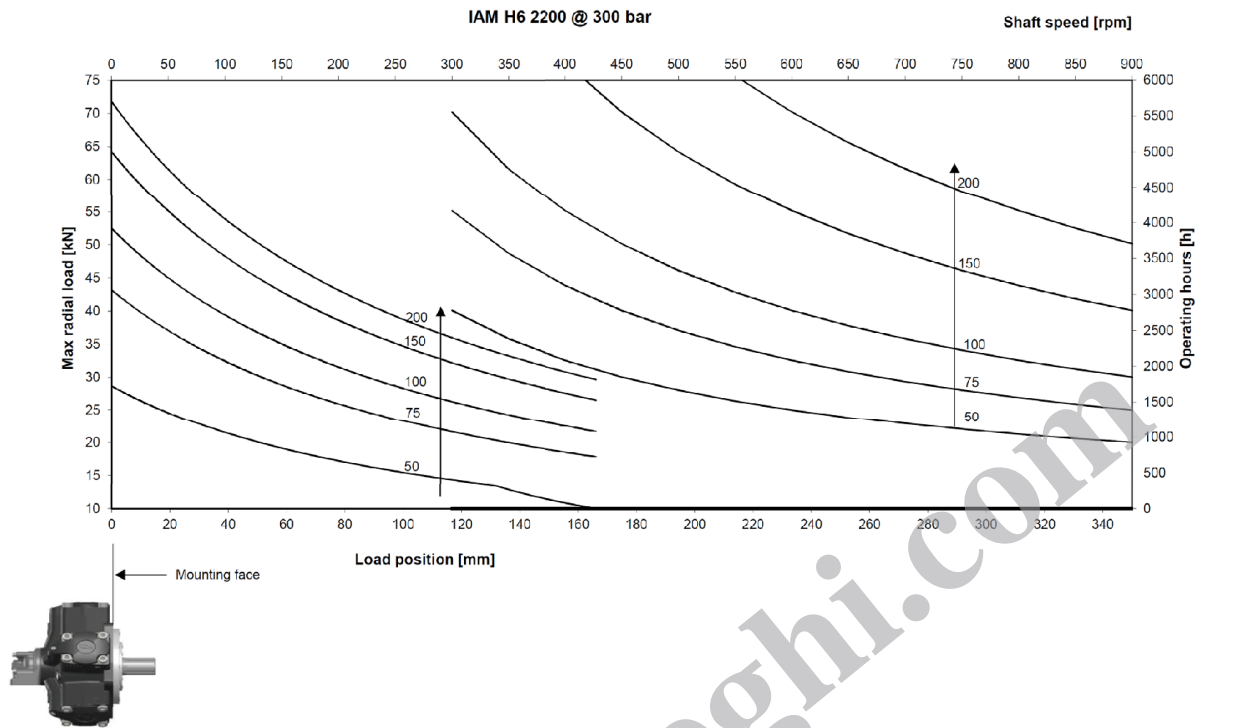
4	Continuous operation with flushing
5	Intermittent operation for period 3-5 minutes every 10-15 minutes with flushing
6	Intermittent operation for very short period (3-5 seconds every 10-15 minutes) with flushing

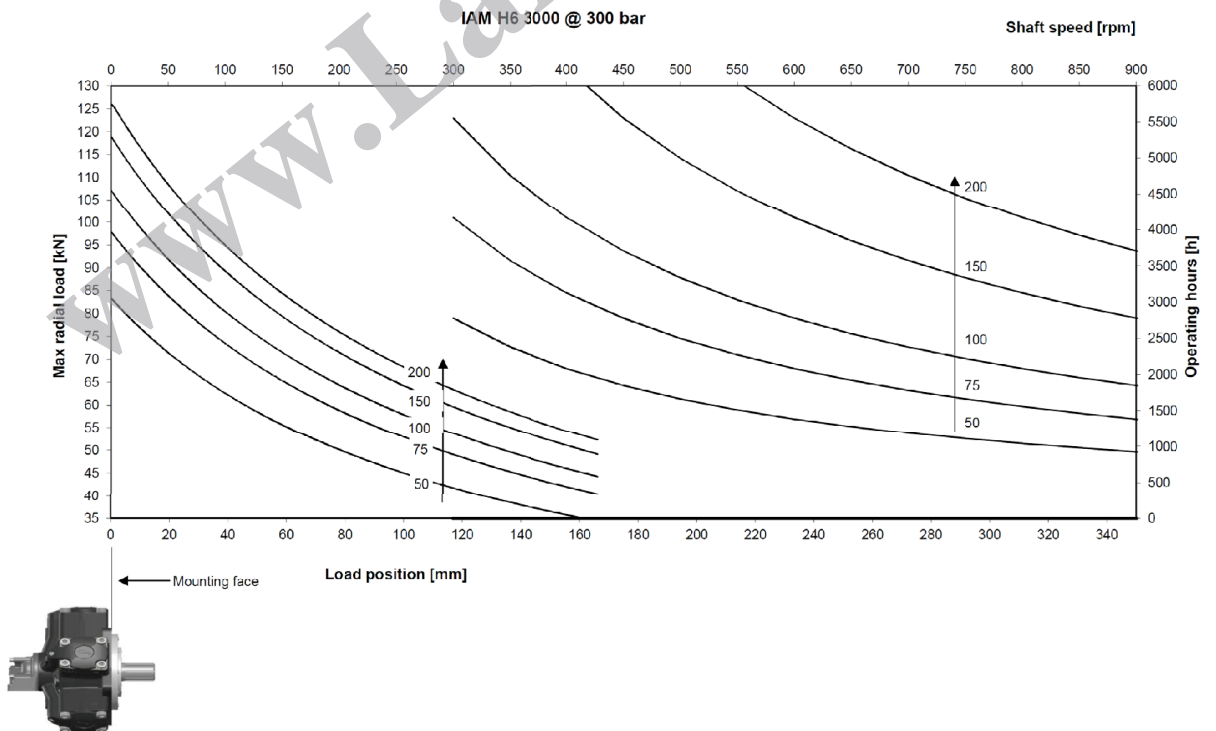
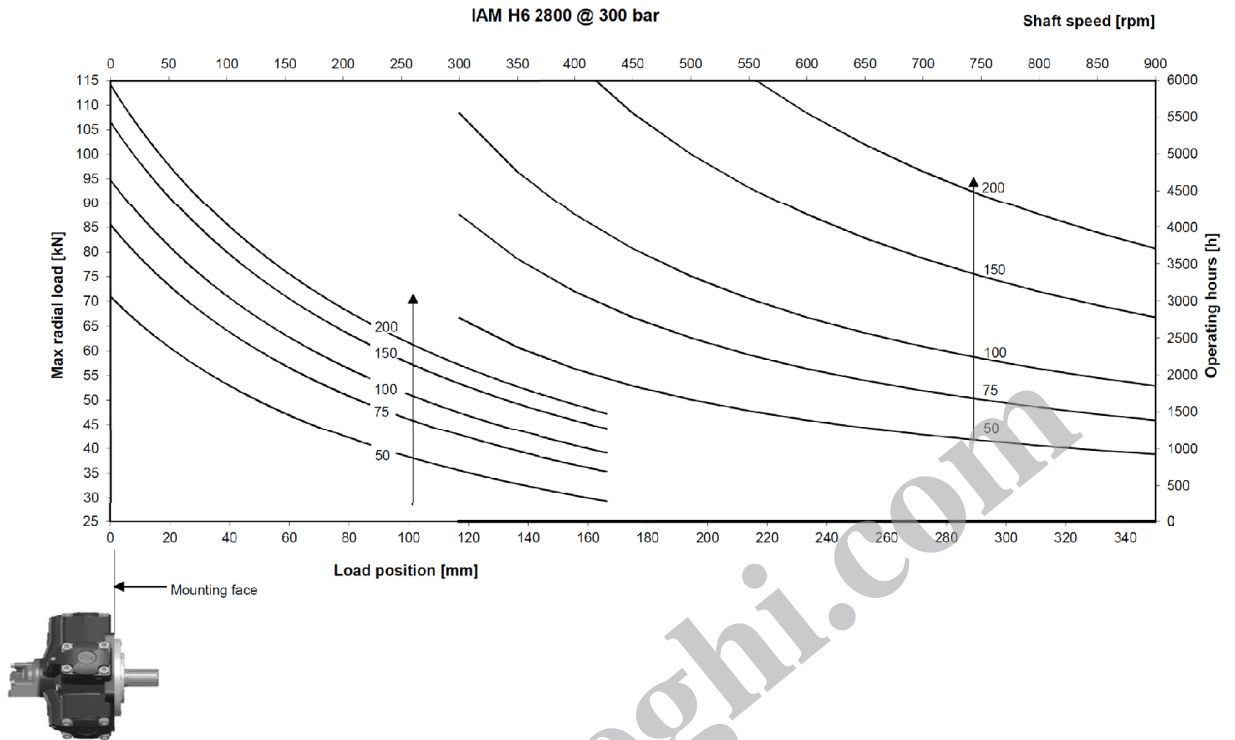


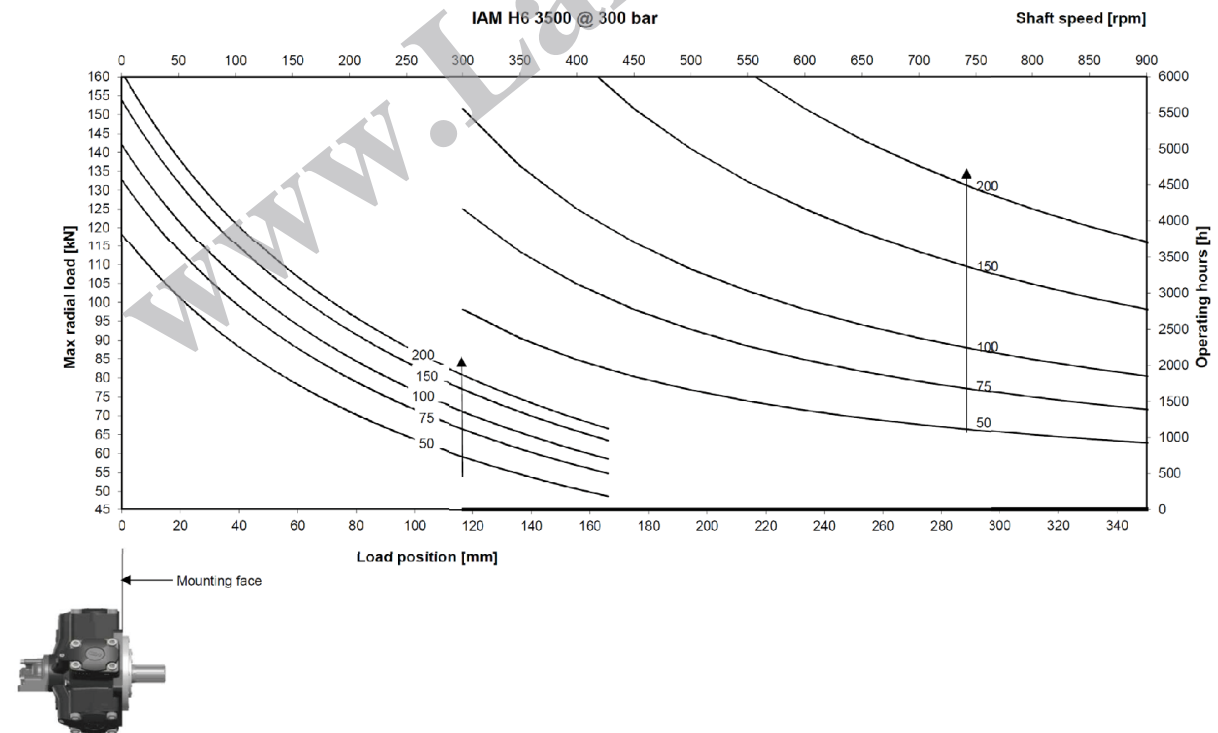
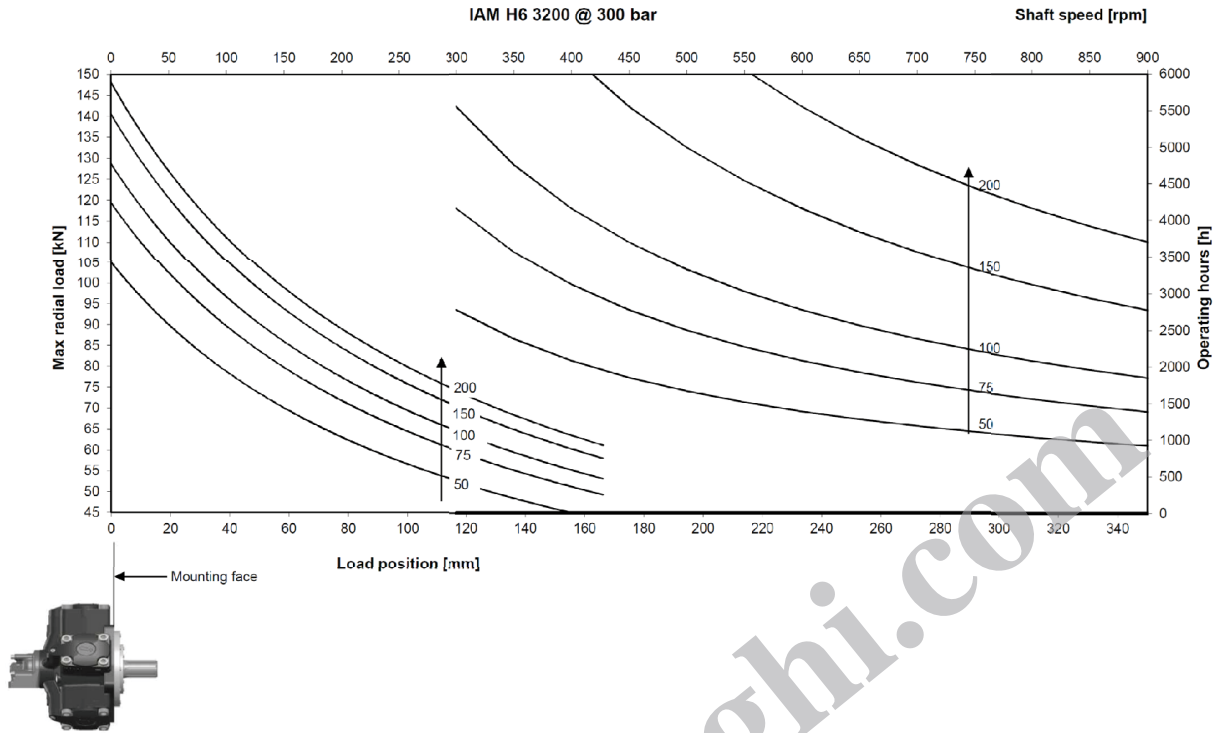
1	Continuous operation
2	Intermittent operation for period 3-5 minutes every 10-15 minutes
3	Intermittent operation for very short period (3-5 seconds every 10-15 minutes)

4	Continuous operation with flushing
5	Intermittent operation for period 3-5 minutes every 10-15 minutes with flushing
6	Intermittent operation for very short period (3-5 seconds every 10-15 minutes) with flushing

IAM H6 - SIDE LOAD CHARTS







IAM H6 - ORDERING INSTRUCTIONS

IAM	---	/---	H6	A --	D --	---	SB --
Model IAM							
Displacement 2200 cc/rev 2500 cc/rev 2800 cc/rev 3000 cc/rev 3200 cc/rev 3500 cc/rev							
Interchangeability /C /B125 - /B150 -/B200							
Housing H6							
Shaft A0 – Standard splined shaft A1 – Special splined shaft A11 – Special splined shaft A12 – Special splined shaft A2 – Parallel keyed shaft A3 – Female shaft							
Distributor D90 - SAE 1 1/2 " 6000 psi flange							
Tachometer K TA TB EST							
Spline billet SB9 – 82 UNI 221 SB10 – BS 3550							

EXAMPLE :

IAM 3000 H6 A0 D90

IAM 2800/C H6 A1 D90